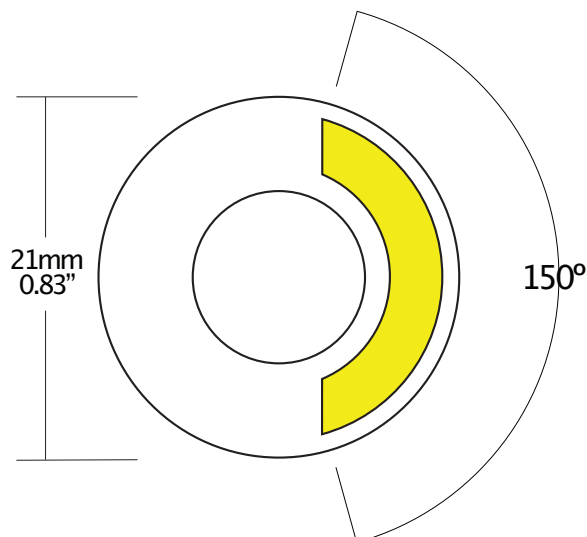
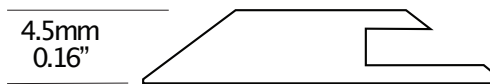
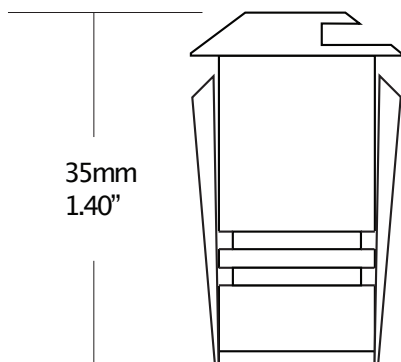


PILLBOX

MINUSCULE RECESSED/IN-GRADE UNI-DIRECTIONAL MARKER

MINIM.IS/pillbox



SPECIFICATIONS

MATERIAL:	PRECISION, HAND-MILLED TITANIUM
SECONDARY OPTICS:	PMMA LENS + 316 STAINLESS REFLECTOR
PIGTAIL:	23-INCH (58CM) DOUBLE-SHEATHED PIGTAIL
POWER REQUIREMENT:	CONSTANT VOLTAGE 12-VOLT DC, PARALLEL TOPOLOGY
ENVIRONMENT:	IP67, WET, DRY
WARRANTY:	5-YEAR LIMITED WARRANTY
LUMINAIRE WEIGHT:	0.1 LB (45 GRAMS)
DRIVE-OVER RATING:	10,500 LBS (4,775 KG)
MP FAMILY RATING:	125mA @ 12vDC = 1.5 watt
LP FAMILY RATING:	83mA @ 12vDC = 1.05 watt

HOW TO SPECIFY. LUMINAIRE EXAMPLE CODE: PX-MP-30

PROD.	FAMILY ¹	CCT & CRI ³	CONCRETE TRIM KIT
PX	MP DIMMABLE ~94 LUMEN ²	27 (2700°K CRI 90+)	TRKTRD16 ⁵
	LP NON-DIMMABLE ~19 LUMEN	30 (2700°K CRI 90+)	
		35 (2700°K CRI 90+)	
		50 (2700°K CRI 90+)	
		AM (AMBER 595nm) ⁴	

1. MP AND LP FAMILIES ARE NOT INTEROPERABLE; THEY REQUIRE SEPARATE POWER SOURCES.
2. AVAILABLE DIMMING PROTOCOLS: 0-10V, 10V PWM, PHASE, OR DALI. READ DISCLAIMER BELOW.
3. ADDITIONAL COLOR TEMPERATURES AVAILABLE, SUBJECT TO ADDITIONAL CHARGE + LEAD TIMES.
4. AMBER IS ONLY AVAILABLE IN THE LP FAMILY
5. CONCRETE TRIM KIT IS SOLD SEPARATELY. CONTACT US FOR DETAILS.

WARRANTY NOTES + DISCLAIMER

MALFUNCTION AND/OR DAMAGE TO PRODUCT DUE TO EMPLOY OF INCOMPATIBLE OR DEFECTIVE DIMMING SYSTEM / PROTOCOL, OR DUE TO DISREGARD OF INSTALLATION INSTRUCTIONS WILL NOT BE COVERED UNDER WARRANTY. CONTACT MINIMIS FOR RECOMMENDED POWER SOURCES.

IF FIXTURE IS TO BE INSTALLED WITH A DIMMER OR DIMMING CONTROL SYSTEM, CONSULT A DIMMING SYSTEM MANUFACTURER WITH MINIMUM LOAD BEFORE INSTALLING. MINIMIS RESERVES THE RIGHT AT ITS SOLE DISCRETION TO MAKE DESIGN CHANGES TO OUR PRODUCTS, AT ANY TIME, AND WITHOUT ADVANCE NOTICE.

CONSULT US AT: WWW.MINIM.IS/contact.html

POWER KITS: MP FAMILY REQUIRES THE MP SERIES POWER KIT - PKMPXXXX.
LP FAMILY REQUIRES THE LP SERIES POWER KIT - PKLPXXXX.

MINIMIS
1661 WEST AVE #398002
MIAMI BEACH 33239

WWW.MINIM.IS
+1 512 402 7300

