

# TRIMKIT TRKTXXXX

For recessed installation into concrete + plaster

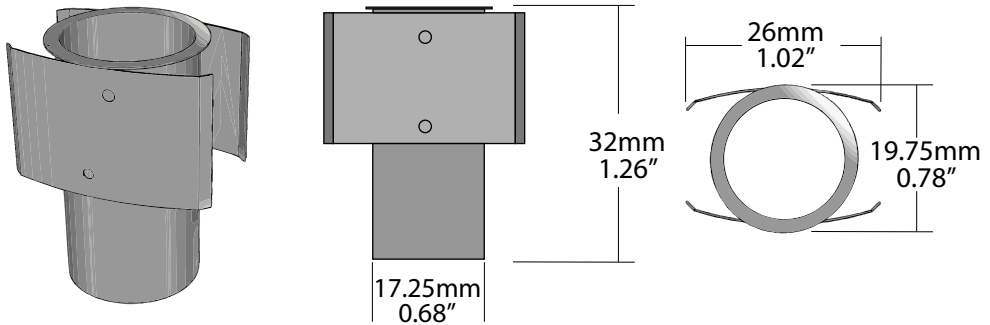
TRIMKIT is a series of concrete and plaster trim-kits, suitable only installation of MP-Series luminaires, and select LP-Series luminaires. Currently available in two form-factors: For round housings of 16-millimeter diameter, and for rectangular housings of 70mm length.

Crafted entirely of precision-milled Grade-5 titanium.

Place with junction box into form at desired position and height, and allow at least two inches of home-run dual-lead cable (typically 18/2) to pass through top flange of TRIMKIT. Ensure TRIMKIT it is placed perfectly plumb and level, otherwise MP-Series luminaire will install, and appear, crooked and unsightly. Apply concrete or plaster to your form. Top flange of TRIMKIT should be flush or slightly recessed of the top surface of your concrete or plaster. If TRIMKIT is proud of the top surface, your luminaire will also appear proud and unsightly.

Make final adjustments to height and position of TRIMKIT and allow to set. Should you need to recess TRIMKIT into your concrete or plaster, allow concrete or plaster to set, and clean the inside of TRIMKIT so that it is completely devoid of any residual concrete or plaster, otherwise you will not be able to install your MP-Series luminaire. Should you need to recess TRIMKIT into your concrete or plaster, the opening from top of flange of TRIMKIT to the finished surface of the concrete or plaster should be minimum 16.5mm (0.65-inch) and maximum 20.5mm (0.81-inch). Maximum depth that the top flange of TRIMKIT can be recessed into concrete or plaster is 16mm (0.63-inch), otherwise the silicone ring, or spring-clips, of your MP-Series luminaire will not have purchase inside TRIMKIT.

Perform final cleaning of inside of TRIMKIT. Join home-run cable to your MP-Series luminaire, using water-proof butt-splice connectors while observing polarity, and press your luminaire into place, while manually feeding the cable back down through TRIMKIT, if necessary.



Material: Precision-milled Gr-5 titanium

Size options: TRKTRD16 - for luminaires of 16mm round housing  
TRKTRC71 - for luminaires of 71mm rectangular housing



815 A BRAZOS #377  
AUSTIN TEXAS USA

Tel: +1 512 402 7300

MINIM.IS/contact

Made somewhere in AMERICA.

IP67. Patent pending.

Updated: FEB 2021