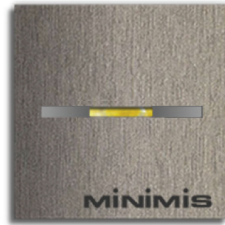


LIMPET



NICK



PRICK



PLOOK



PILLBOX



CYST

INSTALLATION INSTRUCTIONS



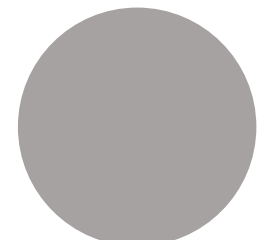
PORE



STOMA

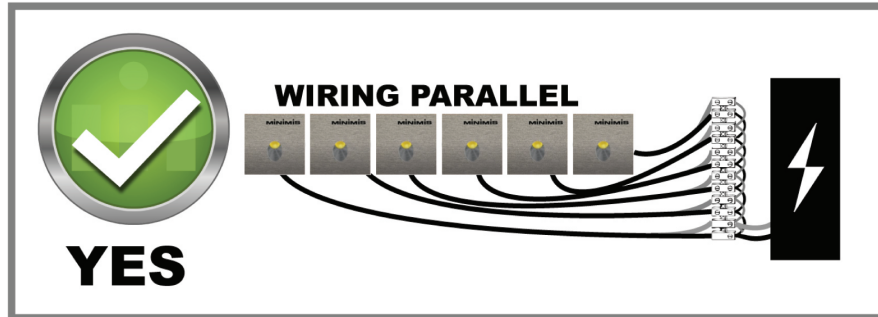


SHIM



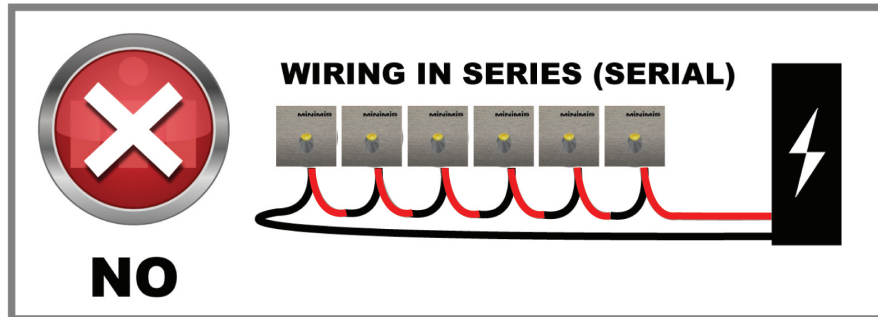
MINT

NOTE: FAILURE TO ABIDE BY INSTRUCTIONS WILL LEAD TO FAILURE, AND INVALIDATE YOUR WARRANTY.



12V DC
Constant voltage
YES

Constant Current LED Driver
NO



DIMMING IS ONLY FOR MP-FAMILY. DO NOT OPERATE LP-FAMILY ON DIMMER

12V AC
NO

IP 67
Outdoor / wet location
YES

IP 68
Submersible
NO



**DIMMING IS ONLY
FOR MP-FAMILY
LUMINAIRES.**

**OPERATING
LP-FAMILY
ON DIMMER
WILL INVALIDATE
YOUR WARRANTY.**

**ANY DOUBTS?
CONTACT US
FIRST
WITH ANY
QUESTIONS.**

DIMMING AT THE MAINS SIDE (120V / 220V) WILL INVALIDATE YOUR WARRANTY.

MALFUNCTION AND/OR DAMAGE TO PRODUCT DUE TO EMPLOY OF INCOMPATIBLE OR DEFECTIVE DIMMING SYSTEM / PROTOCOL, OR DUE TO DISREGARD OF INSTALLATION INSTRUCTIONS WILL NOT BE COVERED UNDER WARRANTY.

CONTACT MINIMIS FOR RECOMMENDED POWER SOURCES.

IF FIXTURE IS TO BE INSTALLED WITH A DIMMER OR DIMMING CONTROL SYSTEM, CONSULT A DIMMING SYSTEM MANUFACTURER WITH MINIMUM LOAD BEFORE INSTALLING.

CONSULT US AT: +1 305 503 5779



WWW.MINIMIS.LIGHTING
INFO@MINIM.IS
+1 305 503 5779

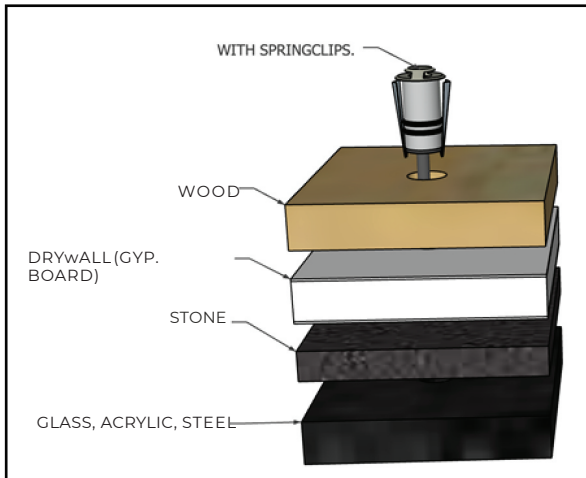
1661 WEST AVE
NO. 398002
MIAMI BEACH, FL 33239



FIRST, DETERMINE WHAT MATERIAL YOU'RE INSTALLING INTO.

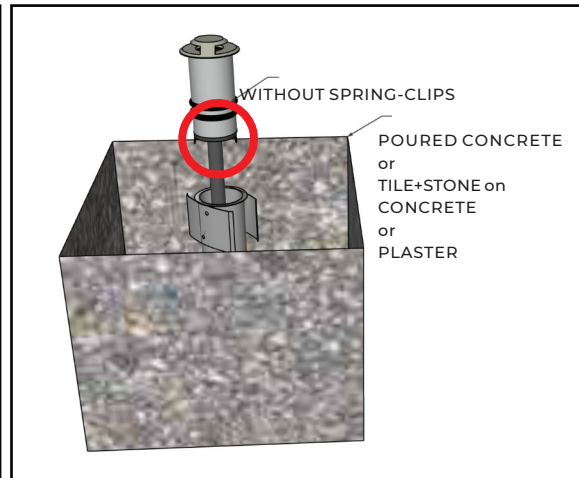
OPTION ONE

DRILLING A HOLE?



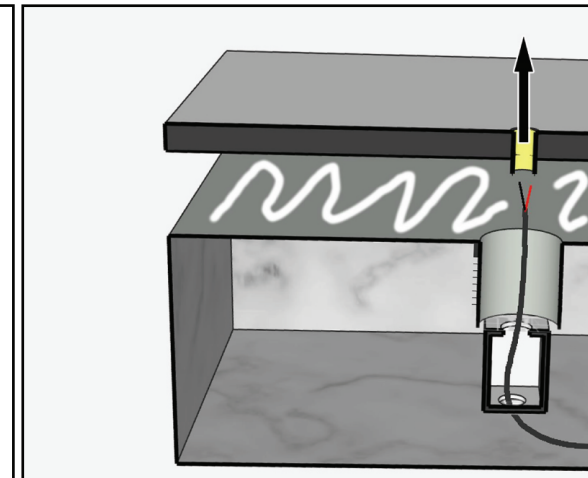
OPTION TWO

POURING CONCRETE / PLASTER?



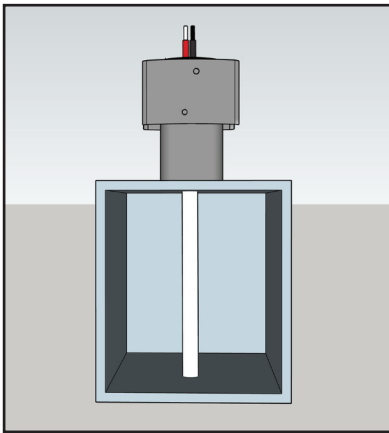
OPTION THREE

INSTALLING TILE?

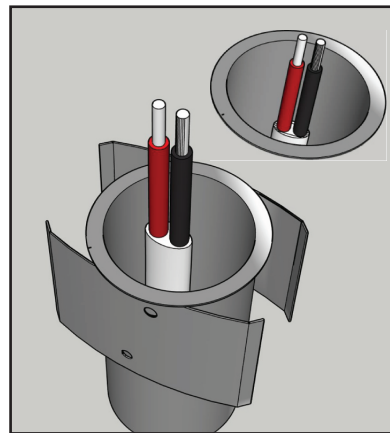


OPTION TWO - CONCRETE/PLASTER

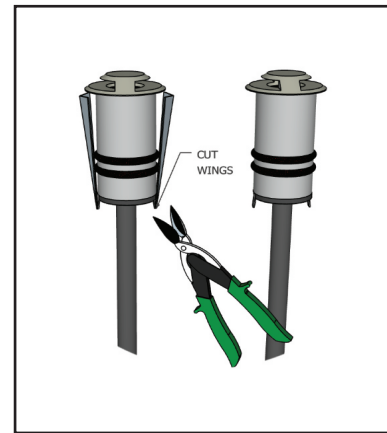
CONTACT US TO PURCHASE TRIM KIT



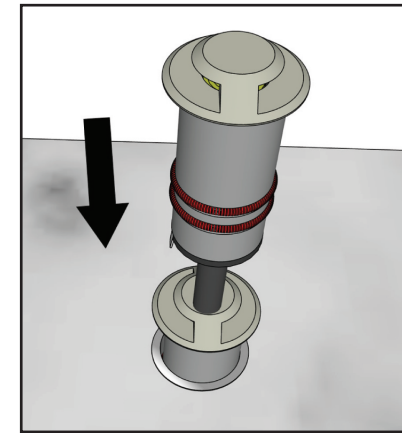
Set a standard junction-box and Trim Kit into place at desired position and elevation, ensuring top flange of Trim Kit will be flush with finished surface of concrete/plaster. If necessary, use length of PVC pipe between Trim Kit and J-Box to achieve desired height. Ensure cable whip extends beyond Trim Kit.



Pour/apply concrete/plaster, smoothing and blending to ensure that none remains on top of flange of Trim Kit. Ensure top of flange of Trim Kit is flush, or flush-recessed, but NOT PROUD with top of the concrete/ plaster. Allow concrete to set.



Cut torsion wings off of fixture, and place one provided O-ring into channel on barrel of fixture housing. Discard end-cap / hole-cover from Trim Kit.

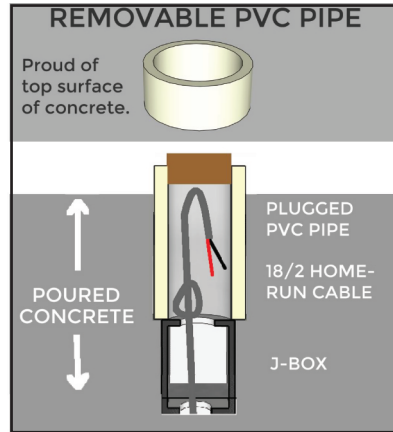


Once concrete/plaster has set, ensure inside of Trim Kit is totally devoid of all debris. Using appropriate gel-filled or other water-proof butt-splices suitable for your local building code, splice pigtail of luminaire to cable whip, observing parallel polarity. Feed pigtail in and press luminaire into place.

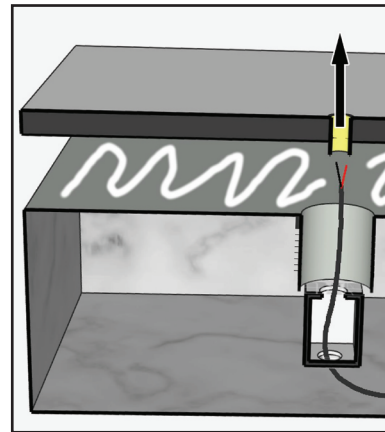
OPTION THREE - IN TILE



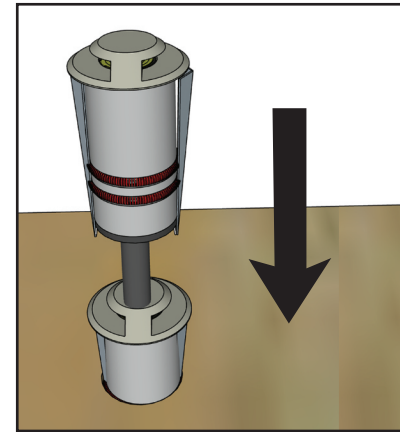
In this application, do not remove the torsion wings; they will be used to maintain friction, once pressed into your hole.



Set a standard junction-box and a length of PVC pipe of 2-inch (50mm) ID into place at desired position & elevation, ensuring top of PVC pipe is well-above finished surface of concrete. Do not mechanically fasten PVC to J-Box, rather attach with silicone for easy future removal. Ensure sufficient length of cable whip extends past top of PVC pipe.



Once concrete has set, discard PVC pipe. Pre-drill a 17mm hole in your tile at correct position. Apply grout or adhesive and lower tile into place, while cable whip up through hole in tile. J-Box may be optional; consult your electrician and flatworker.



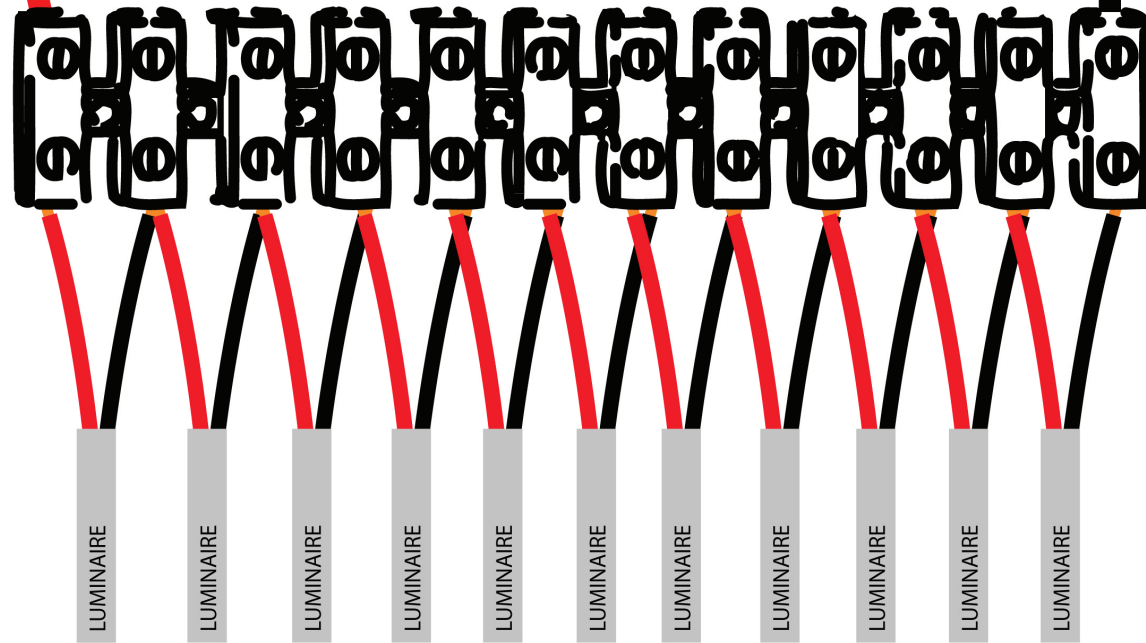
Using appropriate gel-filled or other water-proof butt-splices suitable for your code, splice pigtail of luminaire to home-run cable, observing parallel polarity. Feed pigtail in and press luminaire into place. If hole in tile is too loose, add additional provided silicone O-ring to body of luminaire for added friction.

-
+
to power source



NO

**DO NOT
WIRE IN
SERIES**



WWW.MINIMIS.LIGHTING
INFO@MINIM.IS
+1 305 503 5779

1661 WEST AVE
NO. 398002
MIAMI BEACH, FL 33239

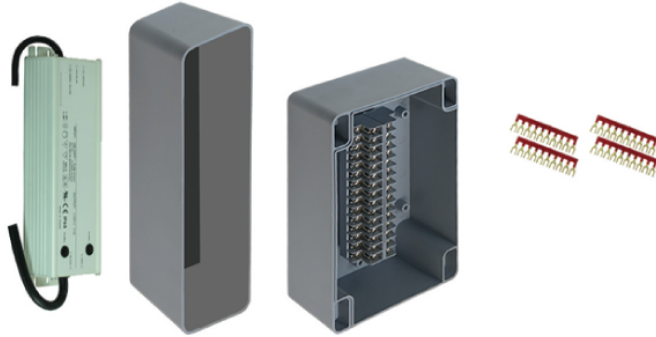


MINIMIS POWER KITS

www.MINIM.IS/power

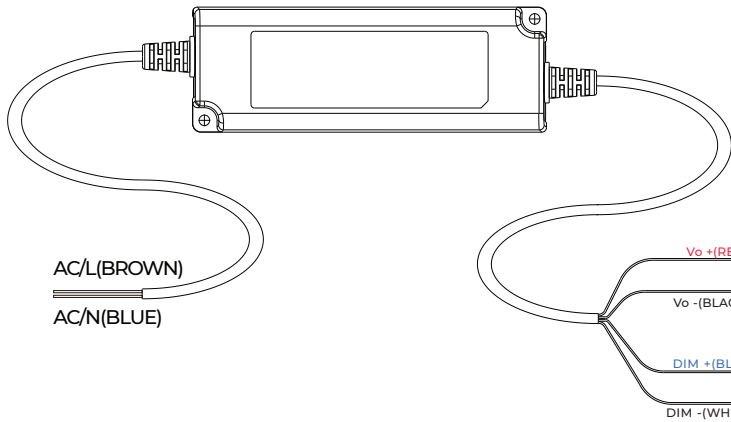
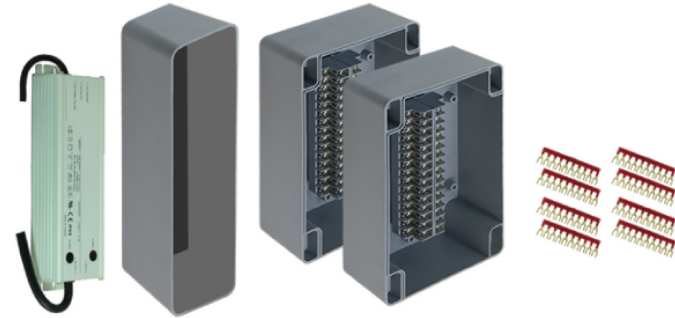
PKMP0115

MINIMIS MP POWER KIT
FOR 1 TO 15 APERTURES



PKMP1630

MINIMIS MP POWER KIT
FOR 16 TO 30 APERTURES



Luminaires are not
individually addressable *



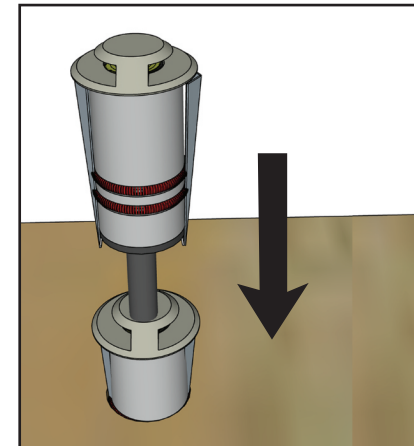
OPTION ONE - IN ANY DRILLABLE MATERIAL



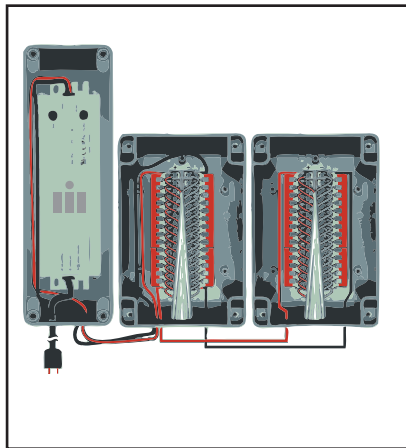
Do not remove torsion wings.



Drill or water-jet a 17mm-diameter hole.



Bridge connections with cable whip, observing parallel polarity, and press luminaire into place. If hole is too large, place one or two provided silicone O-rings into the channels of the barrel housing of the luminaire, to add more torsion hold.



Connect all luminaires in parallel to 12vDC power source.

We recommend the MINIMIS Power Kits.

RECOMMENDED (not included)

- The MINIMIS Power Kit (UL listed)
- 12v DC IP67 transformer
 - Weatherproof transformer enclosure
 - Weatherproof terminal block enclosure
 - Quick-jump bus-bars.

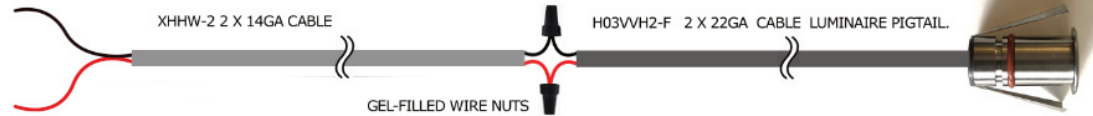
Available in configurations of:

- 1 to 15 luminaires
- 16 to 30 luminaires

More information at: www.MINIM.IS/power

Contact us with any questions.

FOR IN-WALL AND
IN-CEILING
DRY LOCATION INSTALL.



FOR OUTDOOR
AND DIRECT-BURIAL
INSTALL.

